

Magnetic Stand for Survey GNSS Antenna

Includes:

- Stand for survey multiband external GNSS antenna with magnetic base



More info about the product!



Magnetic Stand for Survey GNSS Antenna SKU is: AS-ACC-SURVEYSTAND-00

Get a discounted bulk price on this product for orders of 50 units or more. Contact us at info@ardusimple.com to get a quote.

Description

Stand for survey multiband GNSS antennas with magnetic base.

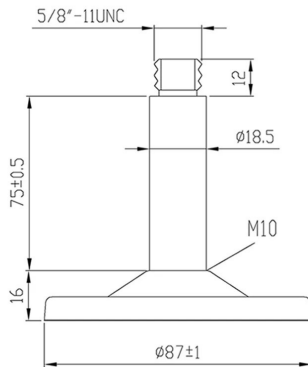
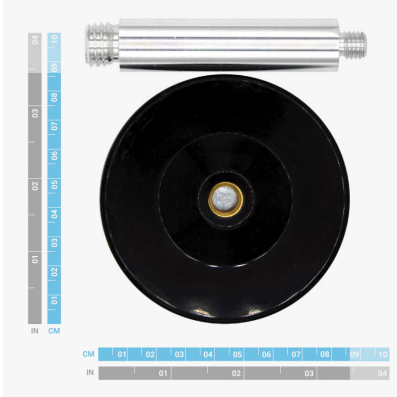
Good to know:

- Uses standard 5/8" thread
- Compatible with all ArduSimple Survey GNSS antennas
- Strong magnetic base
- Does not include the antenna

Specifications

5/8"-11 thread mount

Image Gallery



Magnetic Stand for Survey GNSS Antenna includes free basic technical support. Contact info@ardusimple.com for more information.

Data and descriptions in this document are subject to change without notice. Product photos and pictures are for illustration purposes only and may differ from the real product appearance.